

4

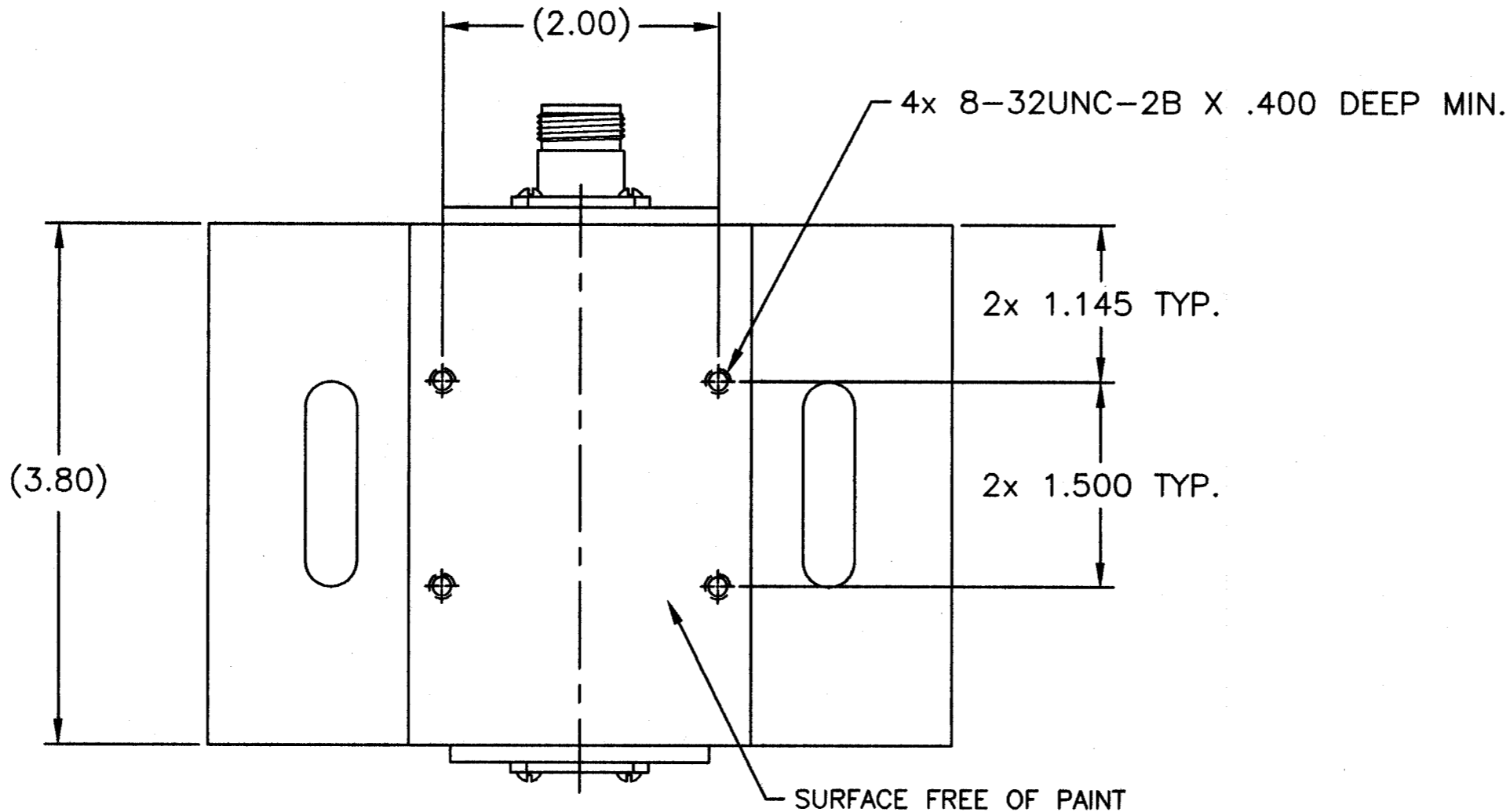
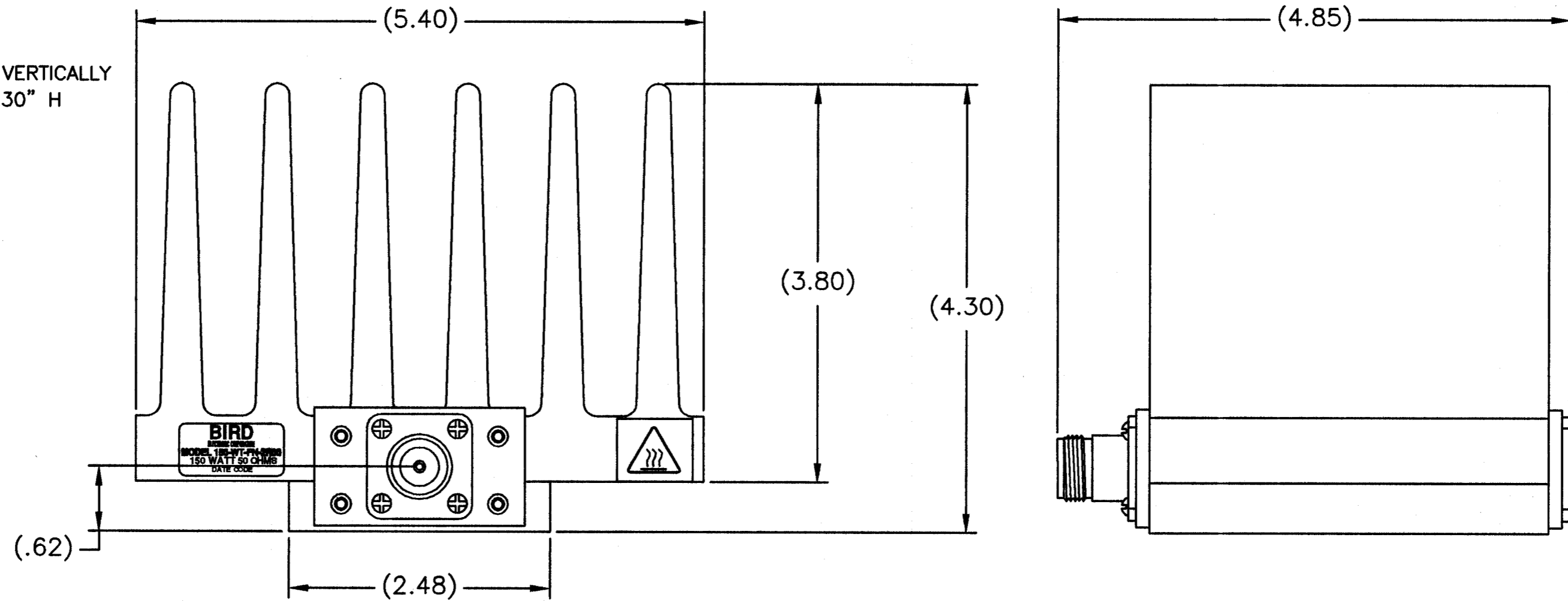
3


2

1

SPECIFICATIONS:
 FREQUENCY RANGE: DC TO 1GHz
 MISMATCH VALUE: 2.00:1 ±0.2
 POWER RATING: 150 WATTS AVG. AT 25°C AMBIENT
 COOLING FIN: ALUMINUM, BLACK ANODIZED
 COVER: ALUMINUM, BLACK ANODIZED
 CONNECTOR: N-TYPE FEMALE, TRI-ALLOY PLATED
 OPERATING POSITION: HORIZONTAL (FINS UP) OR VERTICALLY
 NOMINAL SIZE: APPROX. 4.85" L X 5.40" W X 4.30" H
 WEIGHT: APPROX. 2.5 LBS

REVISIONS		DWG. NO.	SHEET	REV
ZONE	REV	DESCRIPTION	DATE	APPROVED
	A	CONVERT TO BEC FORMAT	DMR 4-7-03	<i>mej</i>



UNLESS OTHERWISE SPECIFIED DIMENSIONS ARE IN INCHES		MILLIMETERS		THIS DRAWING IS THE PROPERTY OF THE BIRD ELECTRONIC CORPORATION. THE DESIGNS AND SPECIFICATIONS DISCLOSED HEREON ARE PROPRIETARY AND SHALL NOT BE REPRODUCED, NOR COPIED, NOR USED AS THE BASIS FOR THE MANUFACTURE OR SALE OF APPARATUS OR DEVICES WITHOUT THEIR EXPRESS WRITTEN CONSENT.			
TOLERANCES ARE:		X = ±.4		 BIRD Electronic Corporation Cleveland (Solon) Ohio USA			
FRACTIONS	DECIMALS	ANGLES	Y = ±.4				
± 1/64	± .010	± 30°	Z = ±.12	APPROVALS		DATE	TITLE
DO NOT SCALE DRAWING				DRAWN		4-7-03	LOAD, MISMATCHED, CONVECTION COOLED
				CHECKED			2.00:1, N-TYPE FEMALE, 150W
				APPROVED		6-5-03	SIZE FSCM NO. DWG. NO. REV
				AUTOCAD			C 70998 150-WT-FN-2R00 A
				SCALE		1:1	COMM CODE LD1 SHEET 1 OF 1

4

3

2

1

D

D

C

C

B

B

A

A